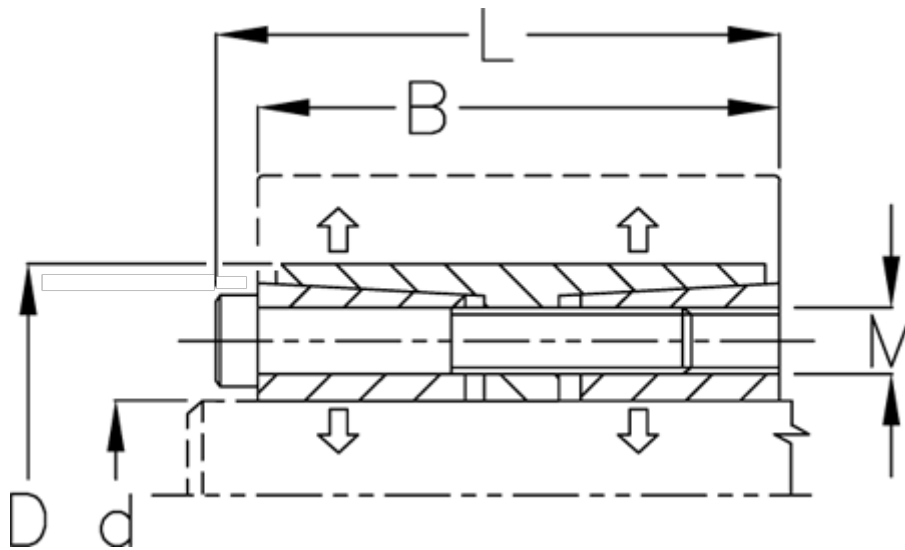


Article number: 439500420  
 Description: Rota-fix shaft-hub connection F420x515  
 Steel  
 Note: Self centering. Very high torque

## Measures



B mm	= 202
d H8 mm	= 420
D mm	= 515
Fit tolerance	= Aksel h8, Nav H8
F kN torque	= 3571.0
L mm	= 224
M mm	= M22
P N/mm <sup>2</sup> surface pressure on shaft/hub	= 101

Surface roughness	= R? ? 3.2 $\mu$ m
T N m torque	= 750000
Ts N m bolt tightening torque	= 930.0